

CURB DETAILS

EN8000-SINGLE ROOF CURB WITH SUPPORT FRAMING

EN8010-DOUBLE ROOF CURB

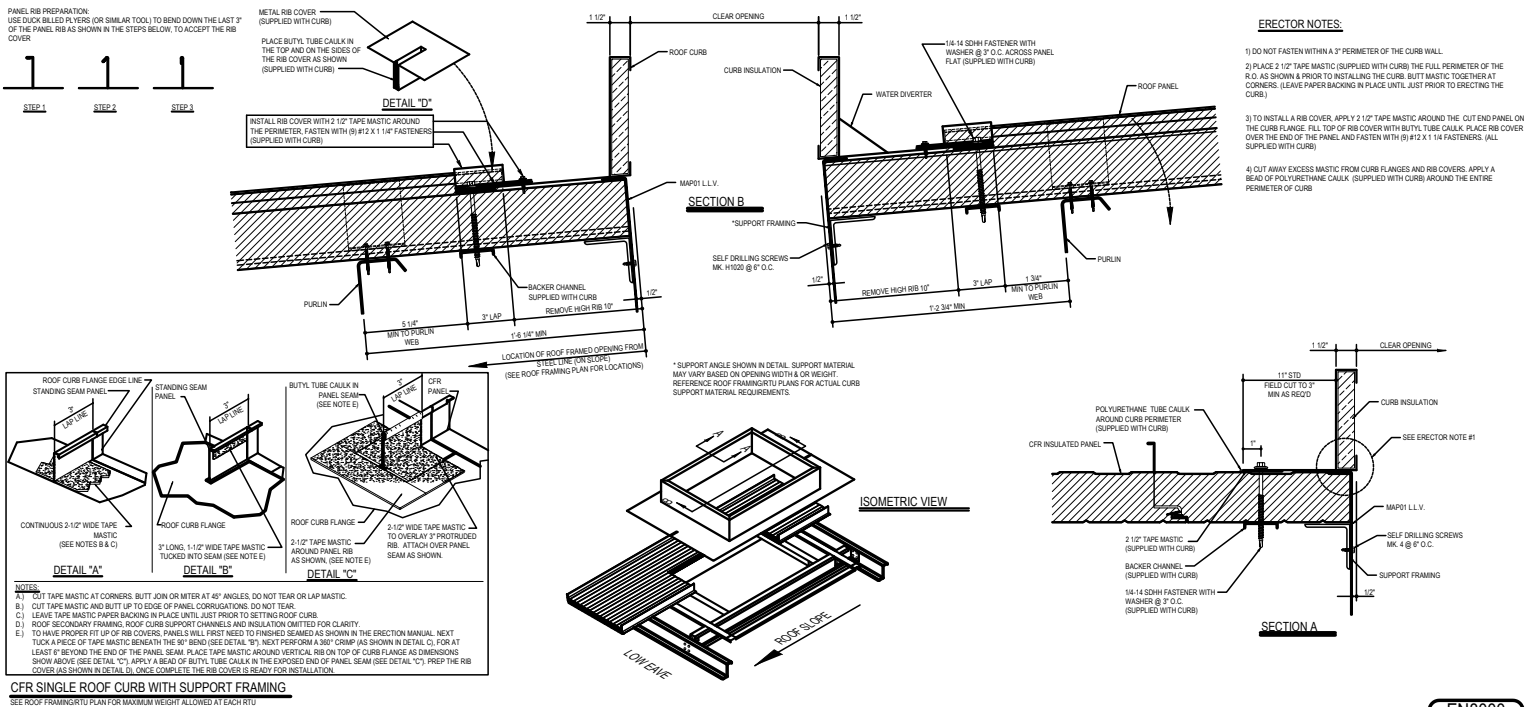
EN8020-LIGHTWEIGHT ROOF CURB SUPPORT INSTALLATION

EN8030-LIGHTWEIGHT ROOF CURB



EN8000 - SINGLE ROOF CURB WITH SUPPORT FRAMING

[Download the DWG file by clicking here.](#)



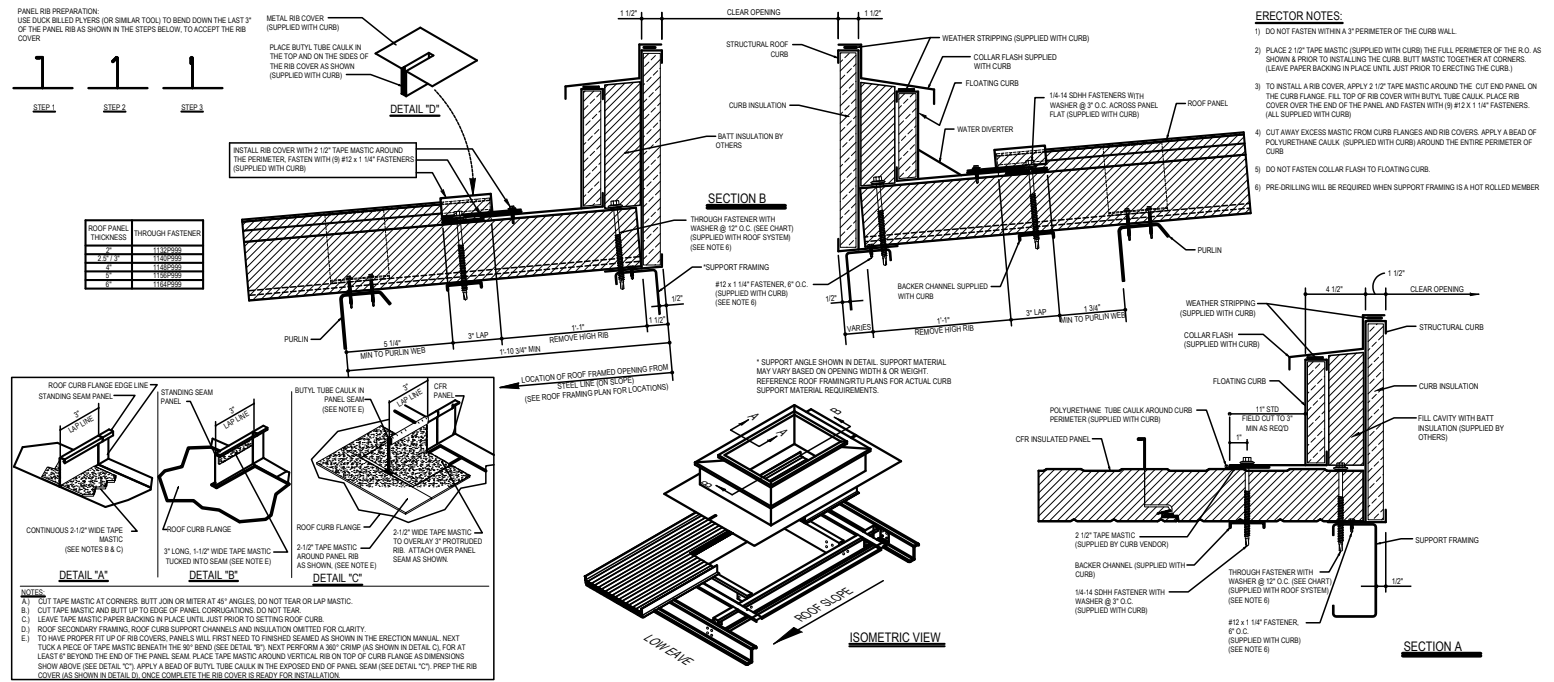
Detailer Notes:

- 1) N/A



EN8010 - DOUBLE ROOF CURB

Download the DWG file by clicking here.



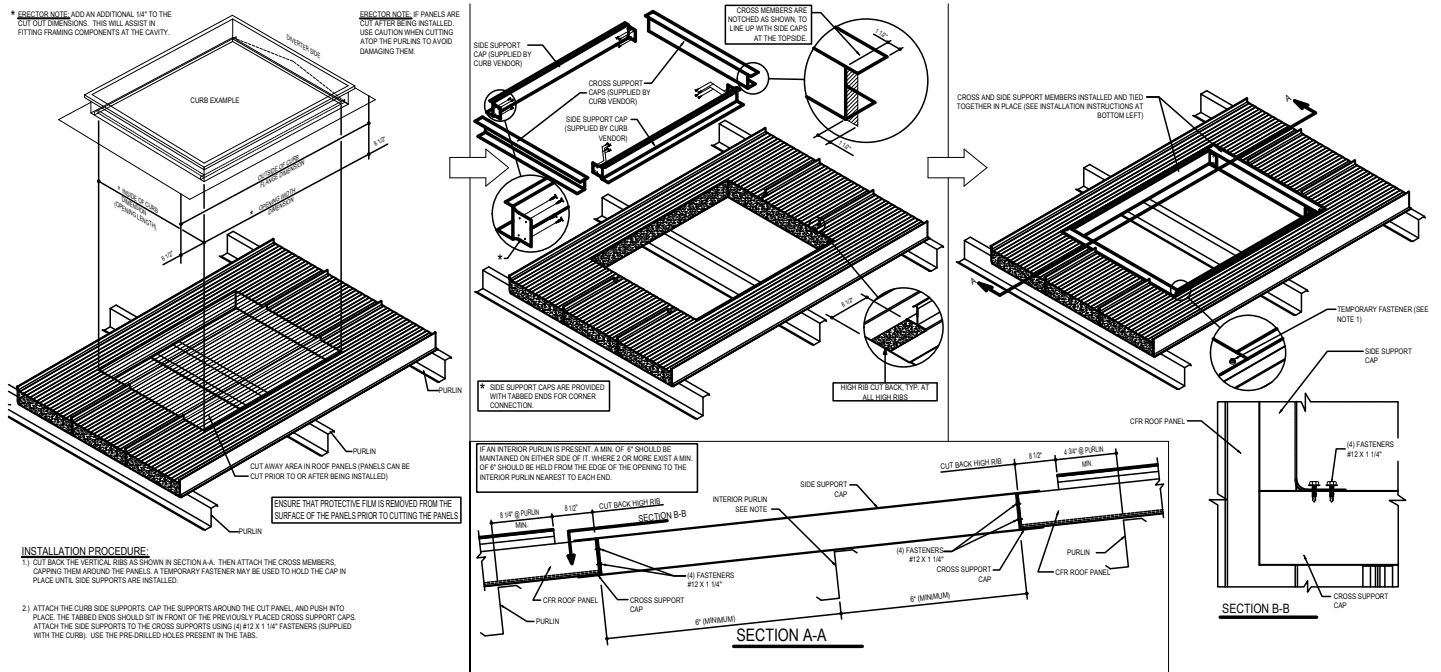
Detailer Notes:

1) N/A



EN8020 - LIGHTWEIGHT ROOF CURB SUPPORT INSTALLATION

[Download the DWG file by clicking here.](#)



CFR LIGHTWEIGHT ROOF CURB SUPPORT INSTALLATION
THICK SECONDARY MEMBERS, SUPPORT FRAMING INSTALLATION
 PREPPING ROOF OPENING

EN8020

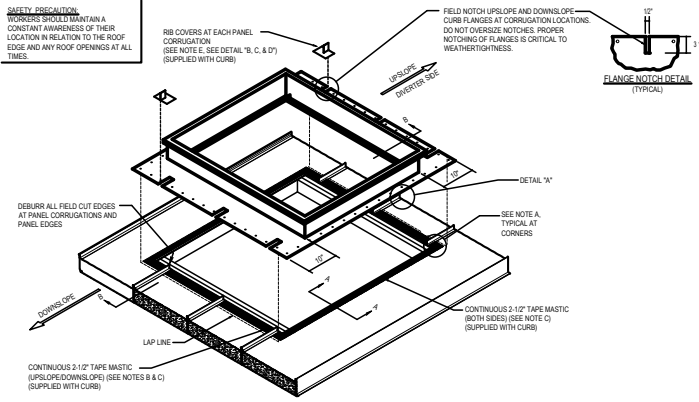
Detailer Notes:

- 1) N/A



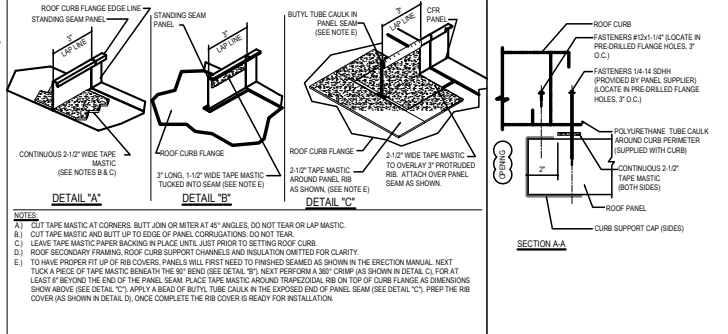
EN8030 - LIGHTWEIGHT ROOF CURB

Download the DWG file by clicking here.



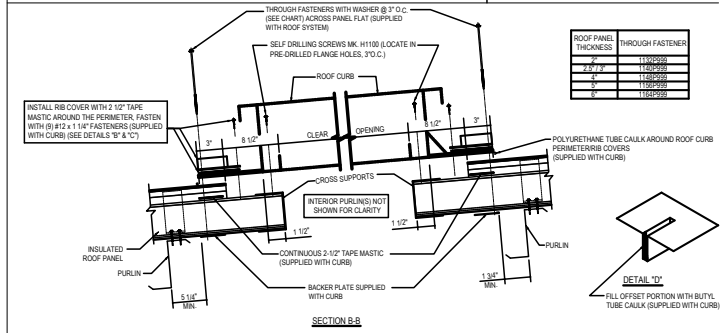
INSTALLATION PROCEDURES:

- 1) PRIOR TO INSTALLING CURB, MARK A "3" LAP LINE ON THE UPSLOPE/DOWNSLOPE ROOF PANEL EDGES. PLACE CURB OVER OPENING, LINE UP CURB FLANGES WITH "3" LAP LINE. CENTER CURB OVER OPENING (SIDE TO SIDE). MARK PANEL RIB LOCATION.
- 2) NOTCH UPSLOPE AND LOWER CURB FLANGES AS REQUIRED. SEE NOTCH DETAIL FOR DIMENSIONS. DRY-FIT CURB OVER OPENING. CHECK FOR PROPER FIT.
- 3) IF TEMPORARY FASTENERS WERE USED AT THE CORNERS, REMOVE THEM NOW, OTHERWISE OMIT NOTE.
- 4) CLEAN OFF ALL DEBRIS, OIL, METAL SHAVINGS, ETC. FROM AROUND THE ROOF OPENING AND FROM ROOF CURB UNDERSIDE.
- 5) INSTALL ALL PROPER TAPE MASTICS AROUND PERIMETER OF ROOF OPENING. SEE DETAIL "A" AND NOTES A, B AND C.
- 6) AFTER TAPE MASTIC PAPER BACKING IS REMOVED, CAREFULLY SET CURB OVER OPENING, ALIGN AND FASTEN WITH 1/4" x 3/8" RH FASTENERS IN PRE-DRILLED FLANGE HOLES AND EVERY 3'.
- 7) PRIOR TO RIB COVER INSTALLATION, RE-VIEW NOTE E. SEE DETAIL "C" FOR PROPER PLACEMENT OF TAPE MASTIC/TUBE CAULK. PLACE COVER OVER PANEL RIB. LINE UP WITH EDGE OF CURB FLANGE. PUSHING DOWN FIRMLY. FASTEN RIB COVER WITH (B) FASTENERS AROUND PERIMETER.
- 8) AFTER ALL ROOF CURB COMPONENTS HAVE BEEN INSTALLED, HAVE CURB AREA AROUND ENTIRE ROOF CURB PERIMETER (INCLUDING RIB COVERS) IS CLEAR OF DEBRIS, OIL, METAL SHAVINGS, ETC. AS NECESSARY. TRIM AWAY EXCESS TAPE MASTIC OR TUBE CAULK FROM AROUND CURB COVERS.
- 9) CUT AWAY EXCESS MASTIC FROM CURB FLANGES AND RIB COVERS. APPLY A BEAD OF POLYURETHANE CAULK (SUPPLIED WITH CURB) AROUND THE ENTIRE PERIMETER OF CURB.
- 10) ATTACH HOLD-DOWN CLIPS AT ALL INTERIOR PURLINS AS SHOWN IN DETAIL "E" BELOW.
- 11) INSTALL FALL PROTECTION/SAFETY SCREEN AND DOMED SKYLIGHT AS INSTRUCTED IN DETAILS BELOW.

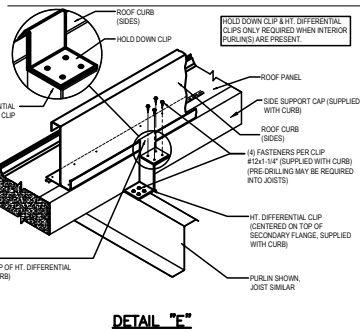


NOTES:

- A) CUT TAPE MASTIC AT CORNERS. BUTT JOIN OR MITER AT 45° ANGLES. DO NOT TEAR OR LAP MASTIC.
- B) CUT TAPE MASTIC AND BUTT UP TO EDGE OF PANEL CORRUGATIONS. DO NOT TEAR.
- C) LEAVE TAPE MASTIC PAPER BACKING IN PLACE UNTIL JUST PRIOR TO SETTING ROOF CURB.
- D) ROOF SECONDARY FRAMING, ROOF CURB SUPPORT CHANNELS AND INSULATION OMITTED FOR CLARITY.
- E) TO HAVE PROPER FIT UP OF RIB COVERS, PANELS WILL FIRST NEED TO BE FINISHED SEALED AS SHOWN IN THE ERECTION MANUAL. DID NOT TUCK A BEAD OF TAPE MASTIC BEHIND THE 3" BEAD (SEE DETAIL "B"). DID NOT PROVIDE A "RIB" COVER AS SHOWN IN DETAIL "C". FOR AT LEAST 8" BEYOND THE END OF THE PANEL SEAM. PLACE TAPE MASTIC AROUND TRAPEZOIDAL RIB ON TOP OF CURB FLANGE AS DIMENSIONS SHOW ABOVE (SEE DETAIL "C"). APPLY A BEAD OF BUTYL TUBE CAULK IN THE EXPOSED END OF PANEL SEAM (SEE DETAIL "C"). PREP THE RIB COVER (AS SHOWN IN DETAIL "C"). ONCE COMPLETE THE RIB COVER IS READY FOR INSTALLATION.

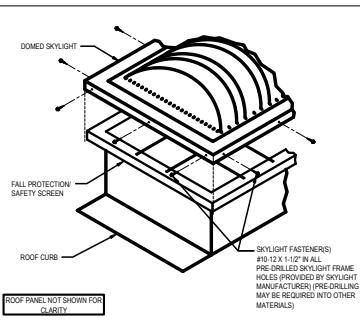


ROOF PANEL THICKNESS	THROUGH FASTENER
2 1/2" (1)	1 1/2" x 3/8"
3" (2)	1 3/8" x 3/8"
3 1/2" (3)	1 3/8" x 3/8"
4" (4)	1 3/8" x 3/8"
5" (5)	1 3/8" x 3/8"



FALL PROTECTION / SAFETY SCREEN INSTALLATION:

- 1) AS REQUIRED, CUT CURB INSULATION TO LENGTH TO FIT AROUND THE INTERIOR PERIMETER OF ROOF CURB.
- 2) PLACE CURB INSULATION INTO BOTTOM CURB SLOT WITH WHITE FACE EXPOSED.
- 3) TAPE ANY SEAMS WITH WHITE INSULATION TAPE (BY OTHERS).
- 4) INSTALL TAPE MASTIC CONTINUOUS ALONG TOP FLANGE OF CURB.
- 5) PLACE SAFETY SCREEN OVER CURB. DON'T ALLOW RIBS TO BE SAFETY SCREEN AT THIS STEP.
- 6) TUCK THE CURB INSULATION INTO CHANNEL OF SAFETY SCREEN.
- 7) FULLY SEAT SAFETY SCREEN TO TOP OF CURB TO NEAREST INSULATION.



DOMED SKYLIGHT INSTALLATION:

- 1) HANDLE DOMED SKYLIGHT WITH CARE. INSIDE THE INSIDE OF THE UNIT IS CLEAR OF DEBRIS THROUGHOUT THE INSTALLATION PROCESS. DO NOT HIT SKYLIGHT FRAME WITH HAMMER OR ANY OTHER KIND OF Mallet. THIS MAY CAUSE THE WELDS TO SPLIT.
- 2) PROPERLY ELEVATE DOMED SKYLIGHT FROM FLAT SURFACES DURING STORAGE TO PREVENT HEAT BUILD-UP OR EXCESSIVE INTERNAL TEMPERATURES UNDER THE DOME. OTHERWISE DAMAGE CAN OCCUR TO INTERNAL COMPONENTS.
- 3) CAULKING THE TOP SIDE OF THE FALL PROTECTION/SAFETY SCREEN IS NOT REQUIRED. AN AIR SEAL TAPE IS PRE-MOUNTED TO THE UNDERSIDE OF THE SKYLIGHT.
- 4) SET DOMED SKYLIGHT OVER PREPARED CURB. MARKING SURE SKYLIGHT IS SQUARE AND EQUALLY SPACED ON ALL FOUR SIDES OF CURB.
- 5) ATTACH SKYLIGHT WITH PROVIDED SCREWS. BE SURE NOT TO DISTORT THE SKYLIGHT FRAME. DRIVE SCREWS JUST INTO TO THE FLANGE. OVERTIGHTENING MAY CREATE FORCES WHICH MAY CRACK THE SKYLIGHT LENS.

DOMED SKYLIGHT CLEANING:

- 1) WHEN CLEANING LENS, USE ONLY WATER OR WATER WITH MILD SOAP. USE A SOFT BRUSH TO MINIMIZE THE SCRATCHING.
- 2) NEVER USE AMMONIA, ALCOHOL, AROMATIC OR PETROLEUM BASED PRODUCTS TO CLEAN LENS. THIS WILL CAUSE DETERIORATION AND/OR CRACKING OF THE LENS AND WILL VOID THE WARRANTY.

LIGHTWEIGHT ROOF CURB INSTALLATION

FOR USE WITH PRISMATIC DOMES AND PRISMATIC SMOKE VENTS ONLY

Detailer Notes:

- 1) N/A